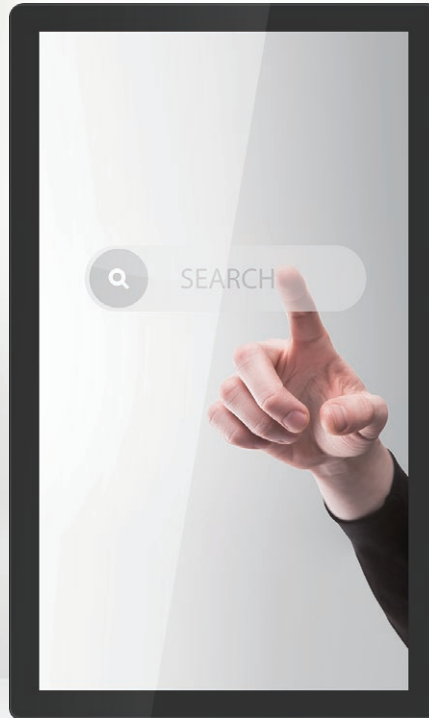


# Open Frame

Peripheral



Fixed Mount Scanner



Intelligent Info Card OCR



Printer



Camera



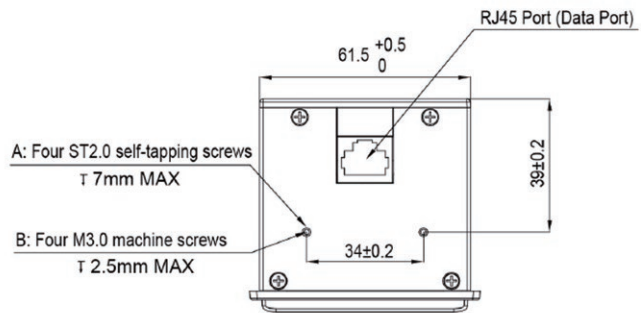
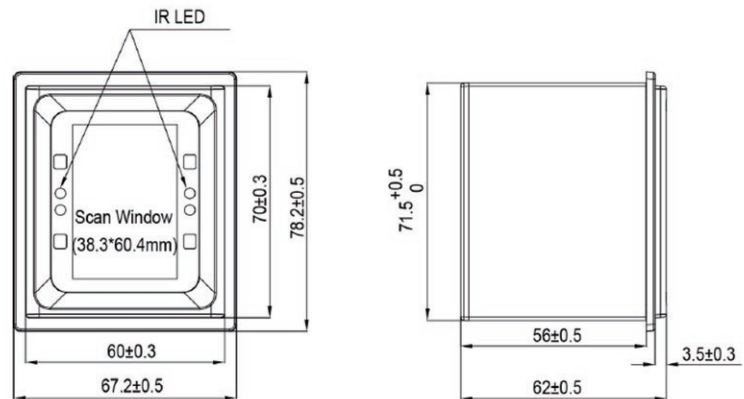
Wi-Fi (AX210)



LED Indicator

# Open Frame

## Specifications



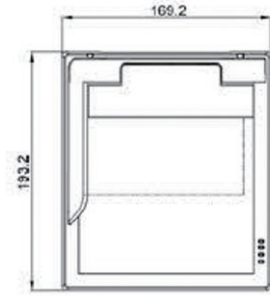
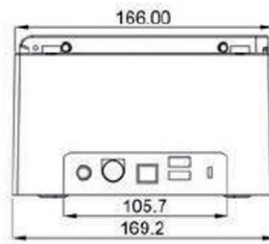
### Fixed Mount Scanner

<b>Data Capture</b>	
1D	All major 1D symbologies including EAN 13, EAN 8, UPC A, UPC E, ISSN, ISBN, Codabar , Code 128 (FNC1, FNC2, FNC3), Code 93, ITF 6, ITF 14, Interleaved 2 of 5, Industrial 2 of 5, Standard 2 of 5, Matrix 2 of 5, GS1 Databar (RSS Expand, RSS Limited, RSS 14), Code 39, Code 11, MSI Plessey, Plessey
2D	All major 2D symbologies including DF417, Data Matrix, QR Code.
Image Sensor	CMOS 752 x 480
Illumination	White LED
Scan Modes	Sense Mode, Continuous Mode
Scan Rate	60 frames per second
<b>Performance</b>	
Processor	0390 Chip+MCU
Minimal Print Contrast	0.25
Scan Angle Roll	360°
Scan Angle Pitch	±40°
Scan Angle Skew	±40°
Field of View Horizontal	75°
Field of View Vertical	50°
Scan Window	38.3mm x 60.4mm / 1.5 in x 2.38 in
<b>Physical</b>	
Dimensions	78.7(W) x 67.7(D) x 62.5(H)mm (max.) / 3.10" x 2.67" x 2.46" (max.)
Weight	184gs / 0.405 lbs

\*Specification is subject to change without prior notice

# Open Frame

## Specifications



### Intelligent Info Card OCR

Machine readable Zone	ICAO 9303 Standard compliant document: ID 1 (Identity Card)/ID 2 (Visa)/ID 3 (Passport) ID Card(Malaysia Singapore , Indonesia, Thailand)
Bar Code	1D Barcode: Code 128, Code 39, Code 2of5 2D Barcode: PDF417, QRcode , Data Matrix, Aztec
RFID Reader	RFID (Optional)
Pixel	5.0 Mega pixels
Illumination	Visible, IR and UV (Optional)
Sensor	CMOS, 5.0 Mega (2592 x 1944)
Color Depth	24 bit
Image format	JPEG, BMP, PNG, PDF, TIFF (NONEL/LZW/G3/G4)
Text format	TXT (Unicode/ANSI/UTF-8), CSV, DAT, HTML, XML
CPU	Intel Core 5 and above
Memory	2GB
Hard disk space	250MB
Operation System	Windows 7, 8, 10 (32/64)
Dimensions	169.2 x 193.2 x 104.30 mm / 169.2 x 193.2 x 143.80 mm (Cover) 6.66" x 7.60" x 4.10" / 6.66" x 7.60" x 5.66" (Cover)

\*Specification is subject to change without prior notice



### Camera

#### Sensor Specification

Optical format	1/5 inch QSXGA CMOS Image Sensor
Pixel size	1.12um x 1.12um
Maximum Image	2592(H) x 1944(V)
Illumination	White LED

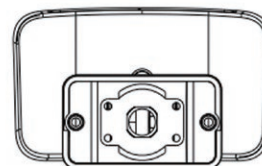
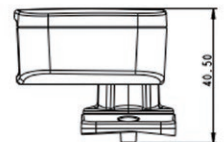
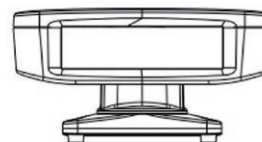
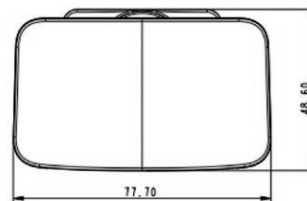
#### Lens Specification

F Number	2.2 5%
Field of view(Diagonal)	76°
Focus Range	10 cm ~ ∞

#### Physical

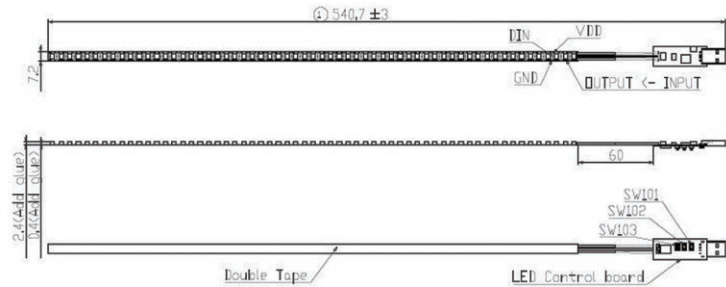
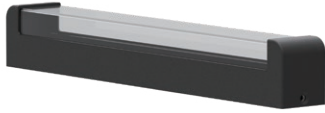
Dimensions	77.7 x 48.6 x 40.5 mm 3.05" x 1.91" x 1.59"
------------	--

\*Specification is subject to change without prior notice



# Open Frame

## Specifications



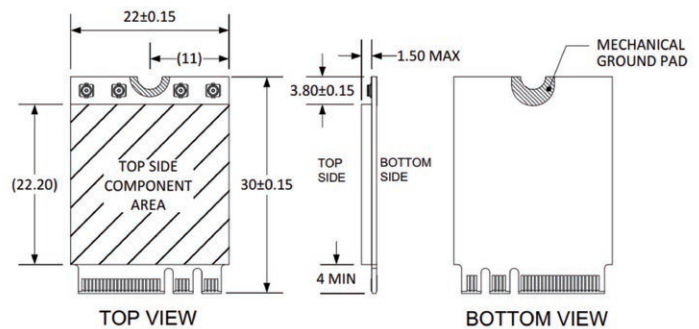
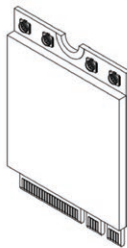
### LED Indicator

Working Voltage	DC5V
LED Resource	WS2812B LED
Working current	0.06A/Cut ; 8.64A/Meter
Max Power	43.2Watt/meter
Viewing angle	≥ 140°
Working temperature	-40°C~60°C / -40°F~140°F
Storage temperature	-50°C~80°C / -58°F~176°F
Lifespan	50000Hrs
Terminal connectors	3pin connector

\*Specification is subject to change without prior notice



TYPE 2230-S3-A-E



### Wi-Fi (AX210)

#### Networking Specifications

TX/RX Streams	2x2
Bands	2.4   5   6 GHz (160MHz)
Max Speed	2.4 Gbps
Wi-Fi CERTIFIED*	Wi-Fi 6E (802.11ax)
Compliance	FIPS
Integrated BT	Yes
BT Version	5.3

#### Package Specifications

Board Form Factor	M.2 2230
Package Size	22mm x 30mm x 2.4mm
System Interface Type	Wi-Fi (PCIe)

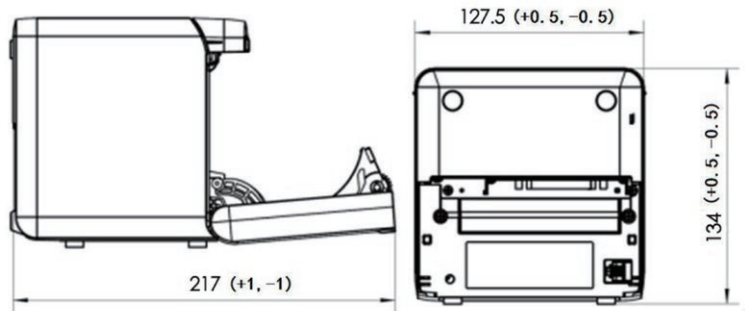
#### Advanced Technologies

MU-MIMO	Yes
Orthogonal Frequency-Division Multiple Access (OFDMA)	Yes
Supported Under Intel vPro® Technology	Yes

\*Specification is subject to change without prior notice

# Open Frame

## Specifications



### Printer RP-700

Printing	Method	Direct Thermal
	Paper Loading Scenario	Top and Front
	Speed	250mm/sec
	Width	Max 80mm
	Resolution	203DPI
Paper	Type	Thermal Paper
	Width	57.5/80/82.5mm
	Thickness	0.06mm~0.1mm
	Roll Diameter	Max. 83mm
	Roll Core Inner	12.5mm
Memory		RAM : 2MB, Flash : 4MB
Reliability	TPH Life	150km
	MCBF	70,000,000 Lines
Auto cutter		2,000,000 cuts
Sensor		Paper End, Cover Open, Black Mark, Paper Near End
Interface		* USB+Serial+Ethernet * USB+BT ("Mfi "certified) * USB+Serial
Emulation		ESC/POS Command Compatible
Driver		Windows, MAC LinuxCUPS, OPOS, JavaPOS
Power	Type	External Adaptor
	AC	100~240Vac 50/60 Hz
	DC	24Vdc / 2.15A
Temperature		Operation 5°C~45°C / 41°F~113°F Storage -40°C~60°C / -40°F~140°F
Dimensions		127mm x 127mm x 134mm (LxWxH) 5" x 5" x 5.27" (LxWxH)
Weight		1 kg / 2.204 lbs

\*Specification is subject to change without prior notice

## Contact Now

**TAIWAN** E-mail:sales@partner.com.tw  
**USA** E-mail:sales@partnertechcorp.com  
**EUROPE** E-mail:info@partner-tech.eu  
**UK** E-mail:sales@partnertechuk.com  
**CHINA** E-mail:sales@partnertech.com.cn

**MIDDLE EAST** E-mail:info@partnertechme.com  
**AUSTRALIA** E-mail:sales@partner-tech.com.au  
**SOUTH EAST ASIA** E-mail:ptse@partner.com.tw  
**JAPAN** E-mail:sales-jp@partner.com.tw

